

MULTITEL

MX 250

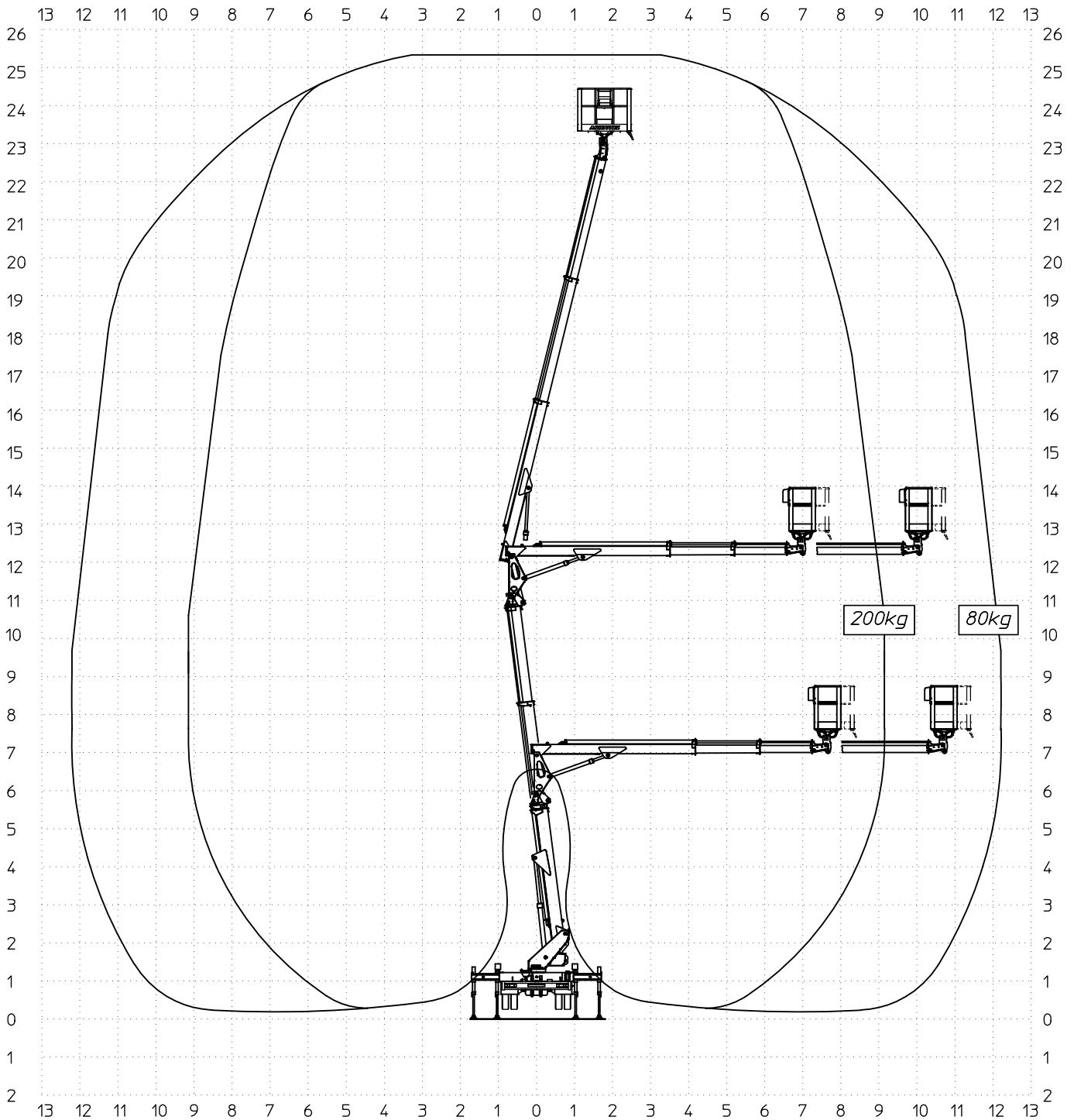
D46890

| Ente | Rev. | Descrizione | Data | Dis. | Contr. | Ap.AQ |
|---|------|-------------|----------|------|--------|-------|
| MRK | 0 | EMISSIONE | 28/07/11 | L.B. | | |
| DIAGRAMMA - SCHEDA 54/2 - Rev. 0 - 15/12/00 | | | | | | |

200kg

80kg

| | | | | |
|----------------------|-------|-----|--------|-----|
| SBRACCIO DI LAVORO | 9.2 m | ±5% | 12.2 m | ±5% |
| WORKING OUTREACH | 9.2 m | ±5% | 12.2 m | ±5% |
| DEPORT DE TRAVAIL | 9.2 m | ±5% | 12.2 m | ±5% |
| SEITLICHE REICHWEITE | 9.2 m | ±5% | 12.2 m | ±5% |



MULTITEL

MX 250

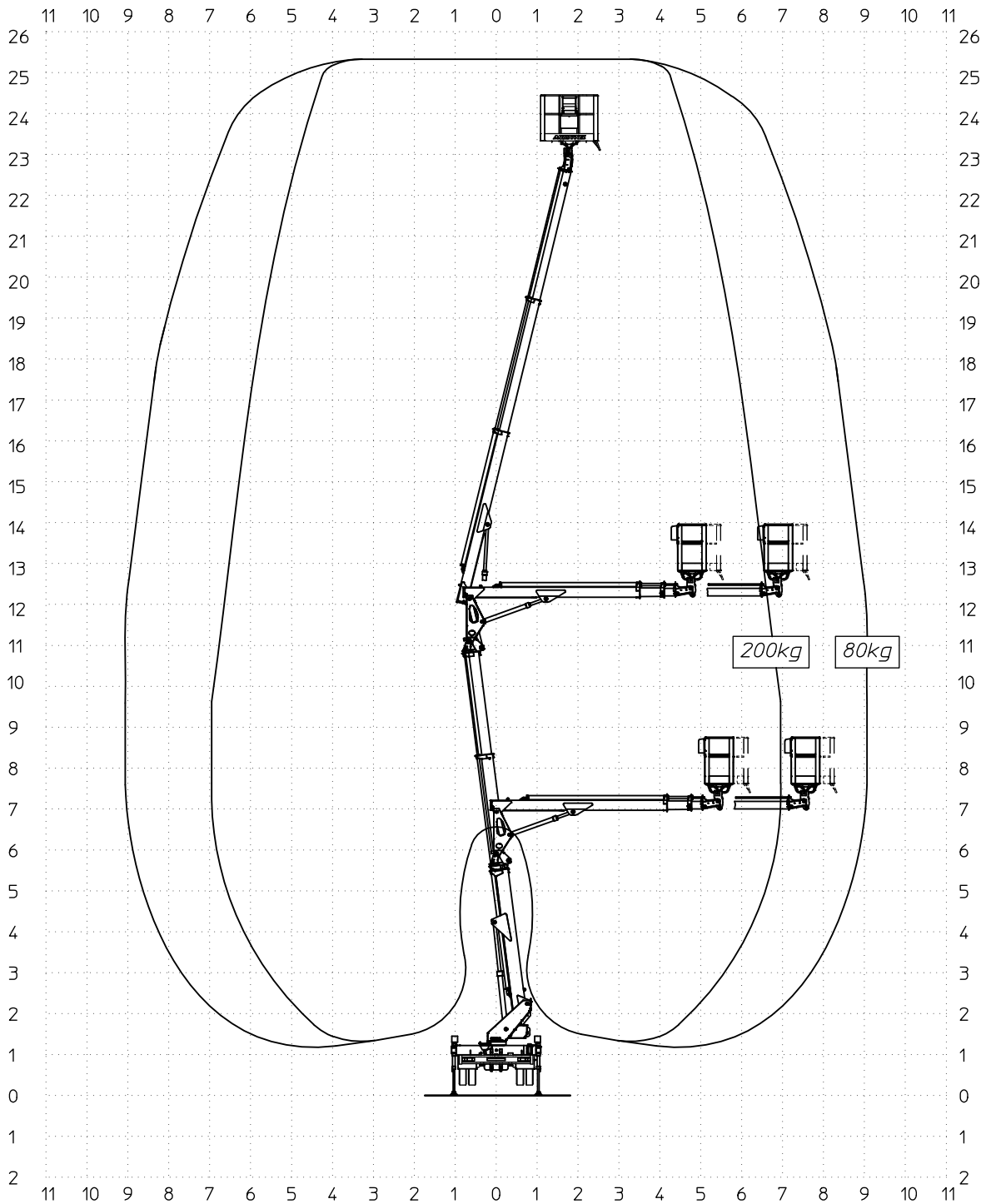
D46889

| Ente | Rev. | Descrizione | Data | Dis. | Contr. | Ap.AQ |
|---|------|-------------|----------|------|--------|-------|
| MRK | 0 | EMISSIONE | 27/07/11 | L.B. | | |
| DIAGRAMMA - SCHEDA 54/2 - Rev. 0 - 15/12/00 | | | | | | |

200kg

80kg

| | | | | |
|----------------------|-------|-----|-------|-----|
| SBRACCIO DI LAVORO | 7.0 m | ±5% | 9.1 m | ±5% |
| WORKING OUTREACH | 7.0 m | ±5% | 9.1 m | ±5% |
| DEPORT DE TRAVAIL | 7.0 m | ±5% | 9.1 m | ±5% |
| SEITLICHE REICHWEITE | 7.0 m | ±5% | 9.1 m | ±5% |

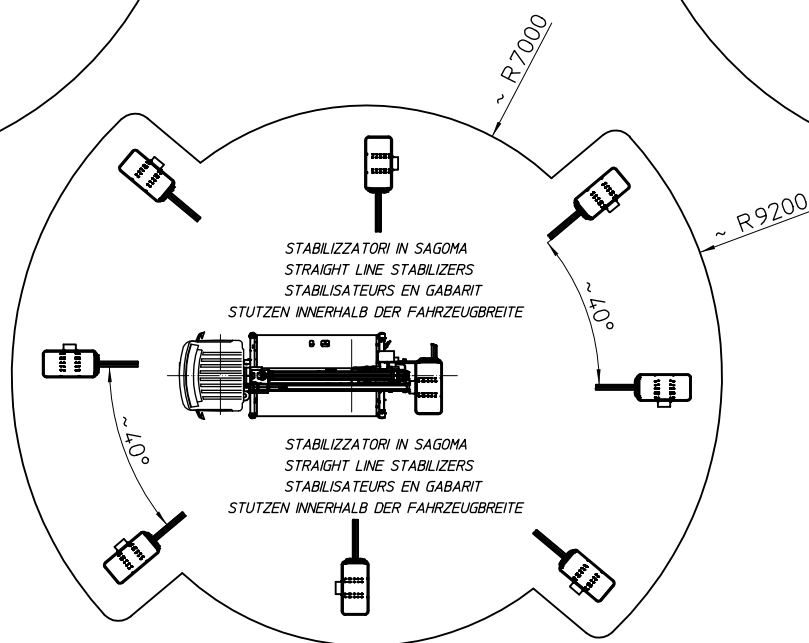
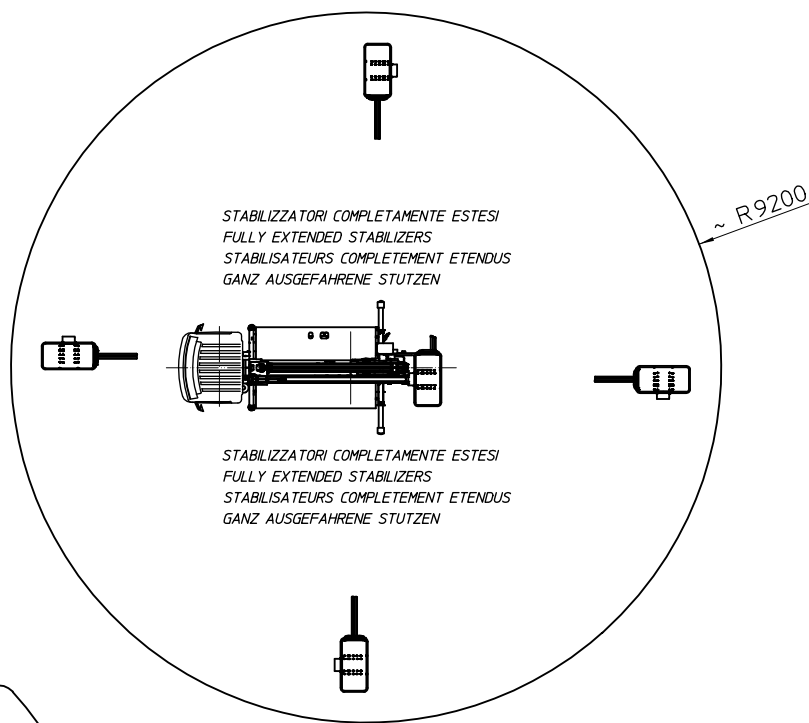
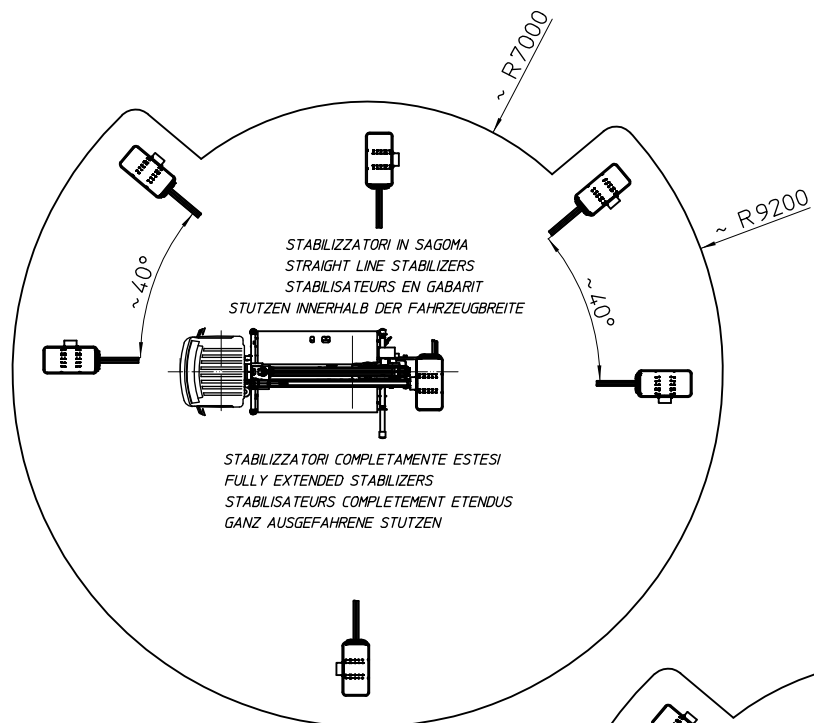


MULTITEL

MX 250

| Ente | Rev. | Descrizione | Data | Dis. | Contr. | Ap.AQ |
|--|------|-------------|----------|------|--------|-------|
| MRK | 0 | EMISSIONE | 07/10/11 | LB. | | |
| INGOMBRO - SCHEDA 54/1 - Rev. 0 - 15/12/00 | | | | | | |

D47165



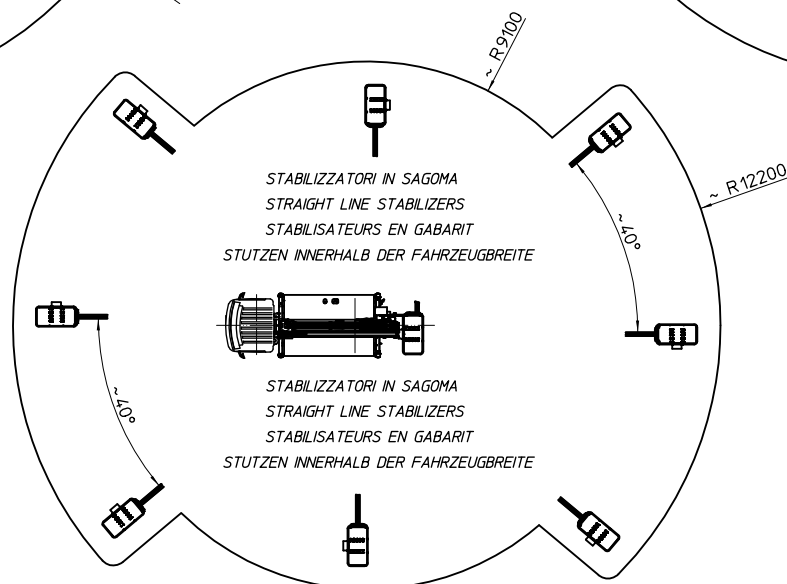
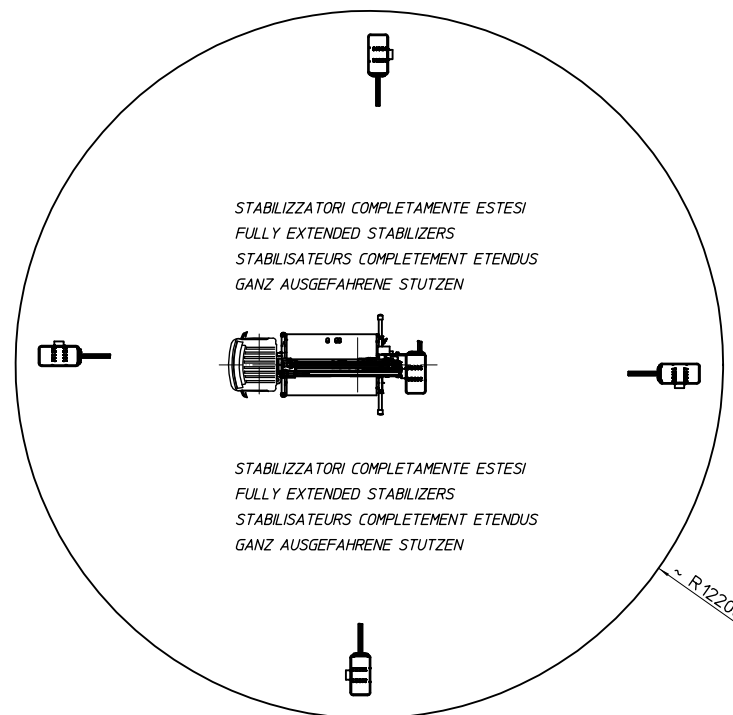
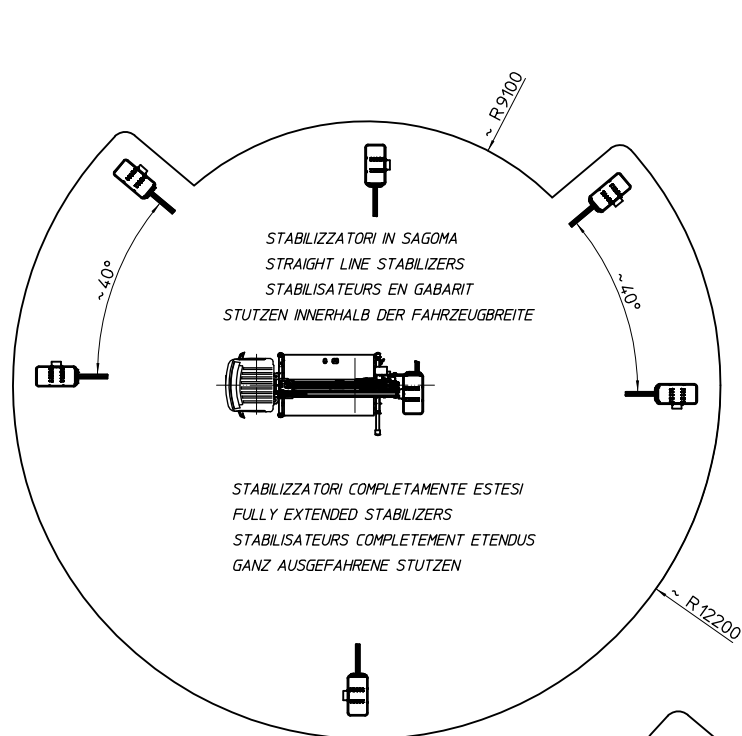
Q=200 kg

MULTITEL

MX 250

| Ente | Rev. | Descrizione | Data | Dis. | Contr. | Ap.AQ |
|--|------|-------------|----------|------|--------|-------|
| MRK | 0 | EMISSIONE | 07/10/11 | L.B. | | |
| INGOMBRO - SCHEDA 54/1 - Rev. 0 - 15/12/00 | | | | | | |

D47166



Q=80 kg

Ingombri di stabilizzazione PLE

Piattaforma aerea 25 metri / 2

